

Power Supply: 9V; works also nicely at 12V (will need a >12V Zener though)

Note: C2 with 470μ, C1 with 1000μ and C3 with 100μ works nicely too without clock noise.

EH 9V Electric Mistress

For personal use only!

Thanks to Stephen and Francisco for providing the schematics !!

Note: R23 is shorted by ps jack if no ps is connected!!

Note: The send return pads might be use for adding a TZF option. If not needed connect with a jumper.

Note: R5 can be replaced by a jumper

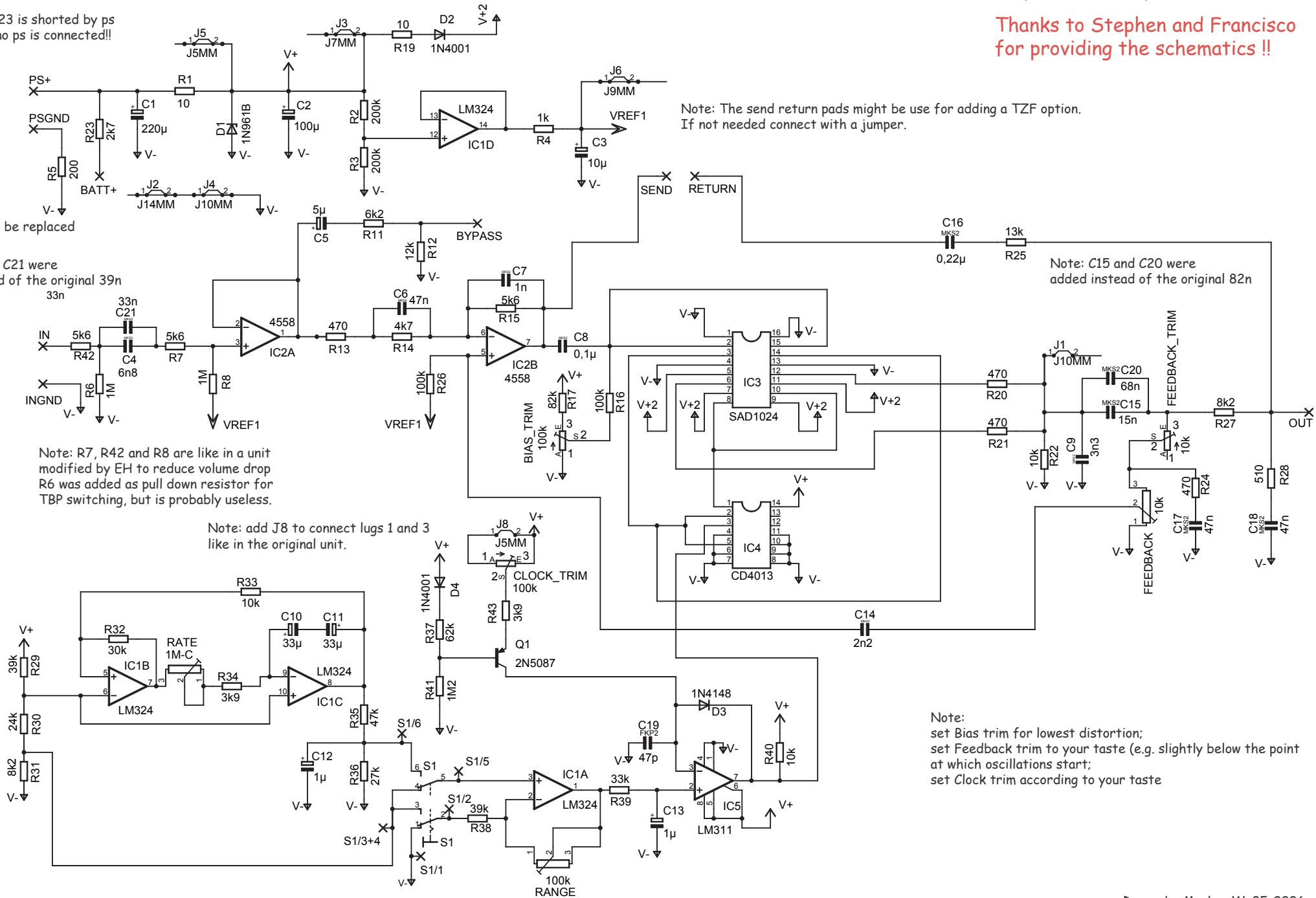
Note: C4 and C21 were added instead of the original 39n

Note: C15 and C20 were added instead of the original 82n

Note: R7, R42 and R8 are like in a unit modified by EH to reduce volume drop R6 was added as pull down resistor for TBP switching, but is probably useless.

Note: add J8 to connect lugs 1 and 3 like in the original unit.

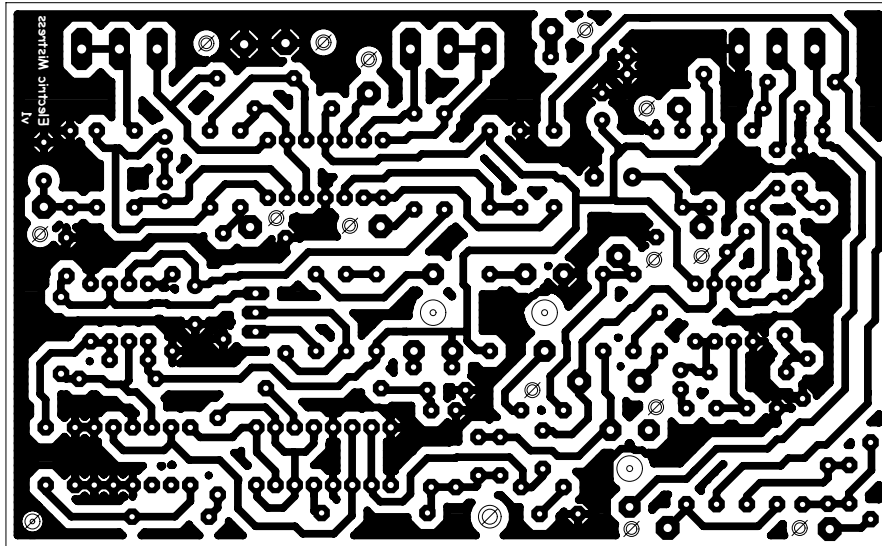
Note:
 set Bias trim for lowest distortion;
 set Feedback trim to your taste (e.g. slightly below the point at which oscillations start);
 set Clock trim according to your taste



Resistors	Polars
-----	-----
2 - 10R	1 - 1u (tantalum)
1 - 200R	1 - 1u
4 - 470R	1 - 5u
1 - 510R	1 - 10u
1 - 1k	2 - 33u (tantalum)
1 - 2k7	1 - 100u
2 - 3k9	1 - 220u
1 - 4k7	
3 - 5k6	Diodes
1 - 6k2	-----
2 - 8k2	
3 - 10k	1 - 1N961B
1 - 12k	2 - 1N4001
1 - 13k	1 - 1N4148
1 - 24k	
1 - 27k	Transistors
1 - 30k	-----
1 - 33k	
2 - 39k	1 - 2N5087
1 - 47k	
1 - 62k	IC
1 - 82k	-----
2 - 100k	
2 - 200k	1 - CD4013 (14)
2 - 1M	1 - SAD1024 (16)
1 - 1M2	1 - LM311 (8)
	1 - 4558 (8)
Film caps	1 - LM324 (14)

	Pots
1 - 47p	-----
1 - 1n	1 - 1M C
1 - 2n2	1 - 100k lin
1 - 3n3	1 - 10k lin
1 - 6n8	
1 - 15n	Trim pots
1 - 33n	-----
3 - 47n	
1 - 68n	1 - 10k
1 - 100n	2 - 100k
1 - 220n	

117mm



72 mm

